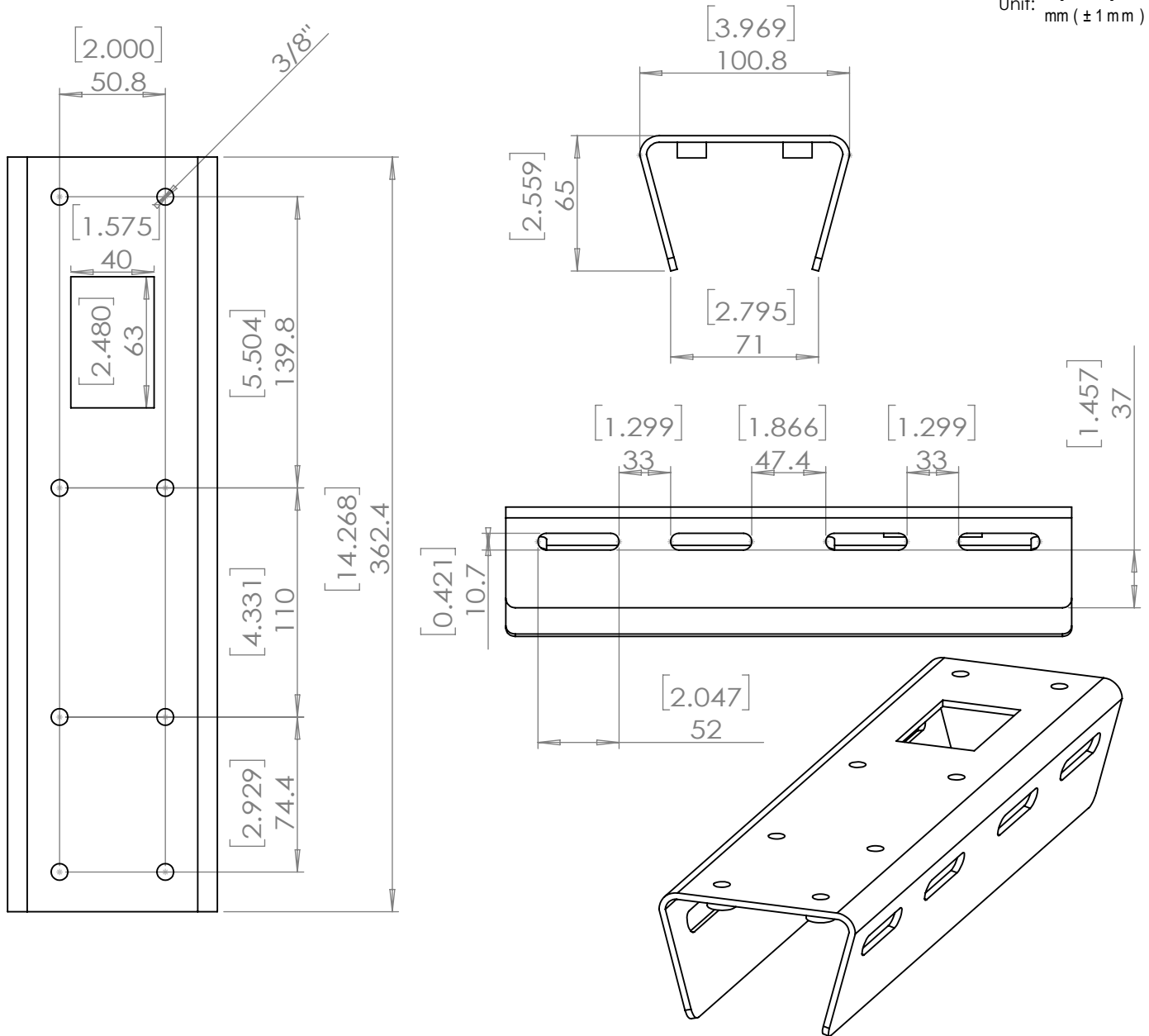


Unit: [inch]
mm (± 1 mm)



Pole Mount Adapter

A-BK 6 S Color
 Nothing= Standard Black
 (OW)=Off-White
 (DB)=Dark Brown

Specifications

Dia. of Adaptable Pole	: 80mm ~ 400mm
Max Wind Load	: 60m/sec(197ft/sec) for ASC products
Material	: Stainless Steel (SUS304)
Paint	: Powder Coat (Epoxy Base Primer + Polyester Base Outer Coat Finish)
Color	: A-BK6S Standard Black A-BK6S(OW) Off-White (RAL9002) A-BK6S(DB) Dark Brown (Munsell 5YR2/ 1.5 Simillar)
Weight	: Approx. 2.5kg (5.6 lbs)
Standard Accessories	: 20mm (0.787") x 1500mm(59") Stainless Belt x 4 (NO Special Tool Necessary) 3/8" Stainless(SUS304) Screw, Spring, Waher x 6
Standard & Compliances	: RoHS