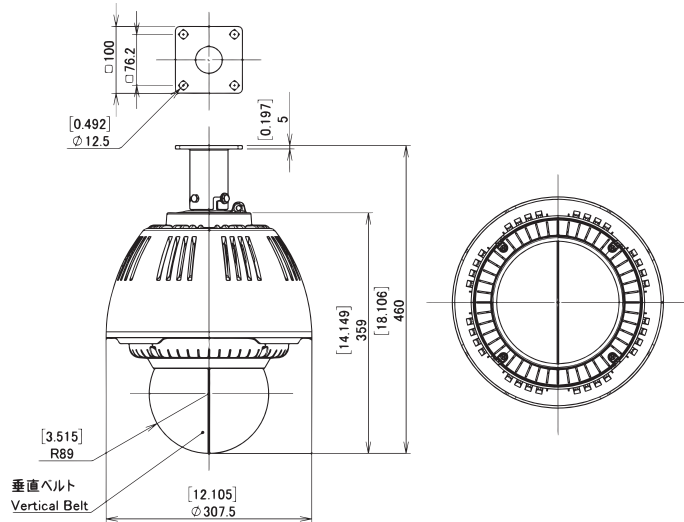


Outdoor Dome Housing

Unit: [Inch]
mm



[Type B Ceiling Mount]

Capsule
C=Clear
T=Tinted

A-ODW7X **SB** **-BD**

Housing Color
Nothing=Standard (Silver)
(OW)=Off-White
(DB)=Dark Brown

Blower Heater

2=Type 24VAC Blower and Heater Installed
12=Type 12VDC Blower, Heater installed
12(POE+)=Type 12VDC Blower, Heater and POE Splitter installed in housing *1,*2
12(POE+M)=Type 12VDC Blower, Heater and POE Splitter installed in housing and Midspan are packed in product box *1,*2

"Optional" Two-Coat system for Metal Parts(Bracket) for corrosion protection*3

Nothing = Standard One Coat by UV resistant polyester powder coat
-TC = "Optional" Two-Coat
-TTC= Optional Three Coat*4

6 Digits registered model name(UL&PSE)

After 7 digits shows optional specifications

Specification

| | |
|-----------------------------|---|
| Operating Environment | Outdoor |
| Operating Temperature | -50°C~+45°C (24VAC/12VDC 50W) -30°C~+45°C (POE 60W) |
| IP Rate | IP55 (Vent Holes "Open") IP66 (Vent Holes "Closed" with provided Rubber) |
| Max Wind Load | 66m/sec |
| Materials | Housing = PC/ABS UL94 V-0 Housing Top = Aluminum Ceiling Mount Bracket = Steel Capsule = PC (Light Loss of Tinted Approx.70%) |
| Color | Standard Silver: Silver (Housing) Black (Housing Top & Bracket) Offwhite: RAL9002 Similar Darkbrown: Munsell 5YR2/1.5 Similar |
| Weight | Approx. 4.3kg (9.5lbs) |
| Recommended Screw | 3/8" or M8~M10 Stainless Screw x 4 (Not included in product) |
| Power Consumption of Heater | 2) Type 24VAC 25W (50W for Cold Area* Confirmation Necessary) 12) Type 12VDC 6W, 12W, 25W, 50W (*Confirmation Necessary) POE) Type POE 6W or 25W (*Confirmation Necessary) *Before Ordering, obtain our confirmation for Camera and Midspan Power. |
| Blower & Heater | Blower 35°C(ON) 27°C(OFF) Auto or Continuous by Jumper Connector Nidec 12VDC 0.5W Blower EUDC12D8 x 2pcs.=1W |
| (Optional) | Heater 4.4°C(ON) 16°C(OFF)Auto Only |
| Compliance | RoHs, PSE, CE, RCM, UL(File# E313815) |

*1 Due to size and specification of camera splitter may not be installed in housing.

*2 As regards the specification of both Splitter and Midspan, you are requested to obtain our confirmation in advance before ordering.

*3 Optional" Two-Coat system comprises 1coat = powder coating primer (Epoxy base) and Top coat = UV resistant (Polyester base) powder coating based on our standard.

*4 Before Two Coat(-TC), Cation Electrodeposition will be added.
(For details, click our website top "Anti-Corrosion Paint")