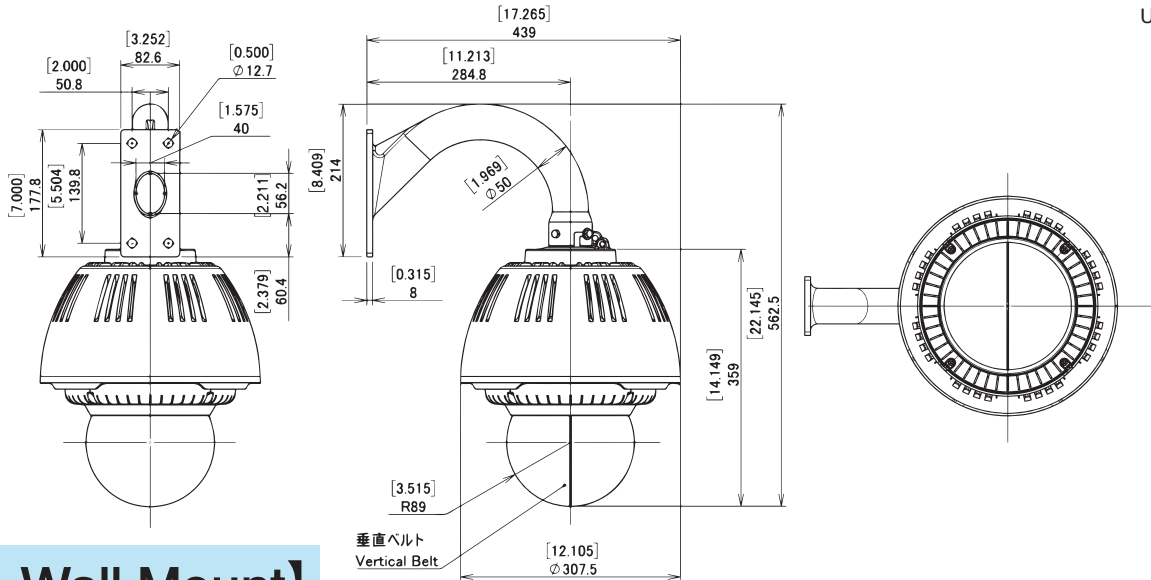


# Outdoor Dome Housing

Unit: [Inch]  
mm



## [Type A Wall Mount]

**Capsule**  
C=Clear  
T=Tinted

**A-ODW7X**   **SA**   **-BD**

**Housing Color**  
Nothing=Standard (Silver)  
(OW)=Off-White  
(DB)=Dark Brown

**Blower Heater**  
2=Type 24VAC Blower and Heater Installed  
12=Type 12VDC Blower, Heater installed  
12(POE+)=Type 12VDC Blower, Heater and POE Splitter installed in housing\*1,\*2  
12(POE+M)=Type 12VDC Blower, Heater and POE Splitter installed in housing and Midspan are packed in product box \*1,\*2

**"Optional" Two-Coat system for Metal Parts(Bracket) for corrosion protection\*3**  
Nothing = Standard One Coat by UV resistant polyester powder coat  
-TC = "Optional" Two-Coat  
-TTC= Optional Three Coat\*4

6 Disits registered model name(UL&PSE)

After 7 digits shows optional specifications

## Specification

Operating Environment	Outdoor
Operating Temperature	-50°C~+45°C (24VAC/12VDC 50W) -30°C~+45°C (POE 60W)
IP Rate	IP55 (Vent Holes "Open") IP66 (Vent Holes "Closed" with provided Rubber)
Max Wind Load	66m/sec
Materials	Housing = PC/ABS UL94 V-0    Housing Top = Aluminum Wall Mount Bracket = Aluminum    Capsule = PC (Light Loss of Tinted Approx.70%)
Color	Standard Silver:    Silver (Housing)    Black (Housing Top & Bracket) Offwhite:    RAL9002 Similar Darkbrown:    Munsell 5YR2/1.5 Silimilar
Weight	Approx. 4.6kg (10.1lbs)
Recomended Screw	3/8" or M8~M10 Stainless Screw x 4 (Not included in product)
Power Consumption of Heater	2) Type 24VAC    25W (50W for Cold Area* Confirmation Necessary) 12) Type 12VDC    6W, 12W, 25W, 50W (*Confirmation Necessary) POE) Type POE    6W or 25W (*Confirmation Necessary) <b>*Before Ordering, obtain our confirmation for Camera and Midspan Power.</b>
Blower & Heater	Blower 35°C(ON) 27°C(OFF) Auto or Continous by Jumper Connector Nidec 12VDC 0.5W Blower EUDC12D8 x 2pcs.=1W
(Optional)	Heater 4.4°C(ON) 16°C(OFF)Auto Only
Compliance	RoHs, PSE, CE, RCM, UL(File# E313815)

- \*1 Due to size and specification of camera splitter may not be installed in housing.
- \*2 As regards the specification of both Splitter and Midspan, you are requested to obtain our confirmation in advance before ordering.
- \*3 Optional" Two-Coat system comprises 1coat = powder coating primer (Epoxy base) and Top coat = UV resistant (Polyester base) powder coating based on our standard.
- \*4 Before Two Coat(-TC), Cation Electrodeposition will be added.  
(For details, click our website top "Anti-Corrosion Paint" )