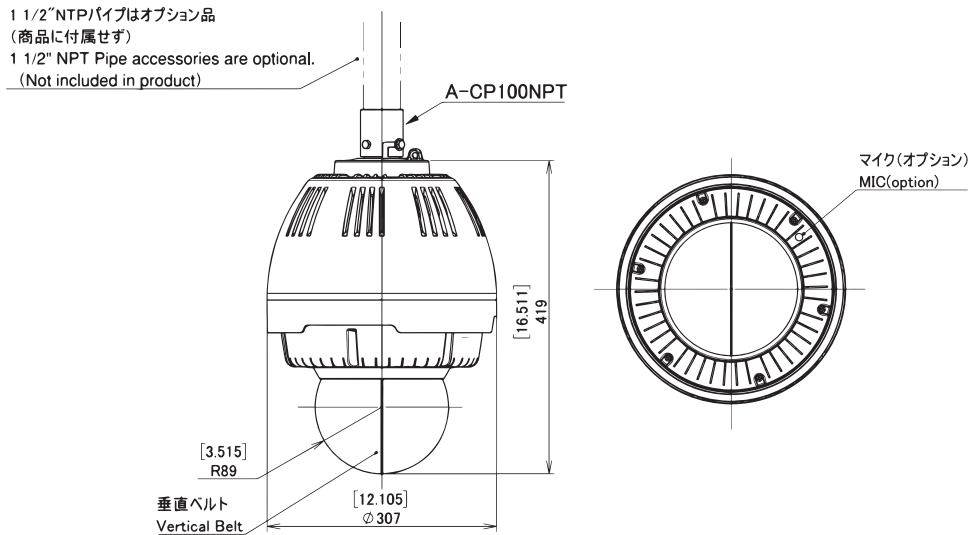


Outdoor Dome Housing

Unit: [Inch]
mm



[Type E Ceiling Mount]

Capsule
C=Clear
T=Tinted

A-ODW7 **SE** **-BD**

Housing Color
Nothing=Standard (Silver)
(OW)=Off-White
(DB)=Dark Brown

Blower Heater

2=Type 24VAC Blower and Heater Installed
12=Type 12VDC Blower, Heater installed
12(POE+)=Type 12VDC Blower, Heater and POE Splitter installed in housing *1,*2
12(POE+M)=Type 12VDC Blower, Heater and POE Splitter installed in housing and Midspan are packed in product box *1,*2

"Optional" Two-Coat system for Metal Parts(Bracket) for corrosion protection*3

Nothing = Standard One Coat by UV resistant polyester powder coat

-TC = "Optional" Two-Coat

-TTC= Optional Three Coat*4

6 Disits registerd model name(UL&PSE)

After 7 digits shows optional specifications

Specification

Operating Environment	Outdoor			
Operating Temperature	-50°C~+45°C (24VAC/12VDC 50W)			
	-30°C~+45°C (POE 60W)			
IP Rate	IP55 (Vent Holes "Open")			
	IP66 (Vent Holes "Closed" with provided Rubber)			
Max Wind Load	66m/sec			
Materials	Housing = PC/ABS UL94 V-0		Housing Top = Aluminum	
	Ceiling Mount Bracket = Steel		Capsule = PC (Light Loss of Tinted Approx.70%)	
Color	Standard Silver:	Silver (Housing)	Black(Housing Top & Bracket)	Ceiling Bracket: Offwhite
	Offwhite:	RAL9002 Similar		Ceiling Bracket: Offwhite
	Darkbrown:	Munsell 5YR2/1.5 Silmilar		Ceiling Bracket: Offwhite
Weight	Approx. 4.3kg (9.5lbs)			
Recomended Screw	3/8" or M8~M10 Stainless Screw x 4 (Not included in product)			
Power Consumption of Heater	2)	Type 24VAC	25W (50W for Cold Area* Confirmation Necessary)	
	12)	Type 12VDC	6W, 12W, 25W, 50W (*Confirmation Necessary)	
	POE)	Type POE	6W or 25W (*Confirmation Necessary)	
	*Before Ordering, obtain our confirmation for Camera and Midspan Power.			
Blower & Heater	Blower 35°C(ON) 27°C(OFF) Auto or Continous by Jumper Connector			
	Nidec 12VDC 0.5W Blower EUDC12D8 x 2pcs.=1W			
(Optional)	Heater 4.4°C(ON) 16°C(OFF)Auto Only			
Compliance	RoHs, PSE, CE, RCM, UL(File# E313815)			

*1 Due to size and specification of camera splitter may not be installed in housing.

*2 As regards the specification of both Splitter and Midspan, you are requested to obtain our confirmation in advance before ordering.

*3 Optional" Two-Coat system comprises 1coat = powder coating primer (Epoxy base) and Top coat = UV resistant (Polyester base) powder coating based on our standard.

*4 Before Two Coat(-TC), Cation Electrodeposition will be added.
(For details, click our website top "Anti-Corrosion Paint")