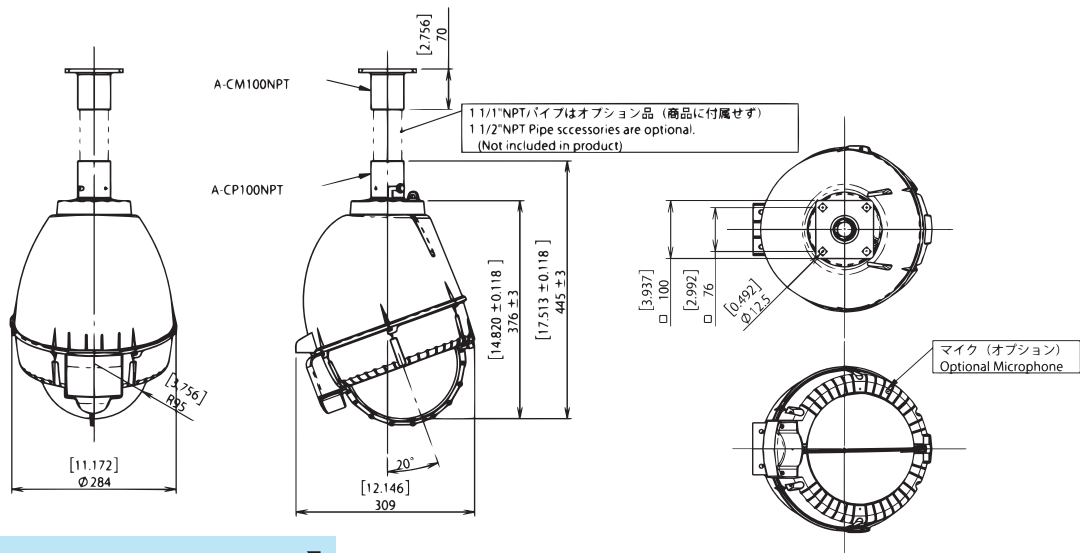


# Outdoor Dome Housing

Unit: [Inch]  
mm



## [Type D Ceiling Mount]

**Capsule**  
C=Clear  
T=Tinted

**Housing Color**  
Nothing=Standard (Silver)  
(OW)=Off-White  
(DB)=Dark Brown

**Blower Heater**  
2=Type 24VAC Blower and Heater Installed  
12=Type 12VDC Blower, Heater installed  
12(POE+)=Type 12VDC Blower, Heater and POE Splitter installed in housing\*1,\*2  
12(POE+M)=Type 12VDC Blower, Heater and POE Splitter installed in housing and Midspan are packed in product box \*1,\*2

**"Optional" Two-Coat system for Metal Parts(Bracket) for corrosion protection\*3**  
Nothing = Standard One Coat by UV resistant polyester powder coat  
-TC = "Optional" Two-Coat  
-TTC= Optional Three Coat\*4

6 Disits registerd model name(UL&PSE)      After 7 digits shows optional specifications

| Specification               |  |
|-----------------------------|--|
| Operating Environment       | Outdoor  |
| Operating Temperature       | -50°C~+45°C (24VAC/12VDC 50W)  |
|                             | -30°C~+45°C (POE 60W)  |
| IP Rate                     | IP55 (Vent Holes "Open")   |
|                             | IP66 (Vent Holes "Closed" with provided Rubber)  |
| Max Wind Load               | 66m/sec  |
| Materials                   | Housing = PC/ABS UL94 V-0      Housing Top = Aluminum  |
|                             | Ceiling Mount Bracket = Steel      Capsule = PC (Light Loss of Tinted Approx.70%)  |
| Color                       | Standard Silver:      Silver (Housing)      Black(Housing Top & Bracket)      Ceiling Bracket: Offwhite                      |
|                             | Offwhite:      RAL9002 Similar      Ceiling Bracket: Offwhite  |
|                             | Darkbrown:      Munsell 5YR2/1.5 Silimilar      Ceiling Bracket: Offwhite  |
| Weight                      | Approx. 6,3kg (13,9lbs)  |
| Recomended Screw            | 3/8" or M8~M10 Stainless Screw x 4 (Not included in product)   |
| Power Consumption of Heater | 2) Type 24VAC 25W (50W for Cold Area* Confirmation Necessary)  |
|                             | 12) Type 12VDC 6W, 12W, 25W, 50W (*Confirmation Necessary)   |
|                             | POE) Type POE 6W or 25W (*Confirmation Necessary)<br>*Before Ordering, obtain our confirmation for Camera and Midspan Power. |
| Blower & Heater             | Blower 35°C(ON) 27°C(OFF) Auto or Continous by Jumper Connector  |
|                             | Nidec 12VDC 0.5W Blower EUDC12D8 x 2pcs.=1W  |
| (Optional)                  | Heater 4.4°C(ON) 16°C(OFF)Auto Only  |
| Compliance                  | RoHs, PSE, CE, RCM, UL(File# E313815)  |

- \*1 Due to size and specification of camera splitter may not be installed in housing.
- \*2 As regards the specification of both Splitter and Midspan, you are requested to obtain our confirmation in advance before ordering.
- \*3 Optional" Two-Coat system comprises 1coat = powder coating primer (Epoxy base) and Top coat = UV resistant (Polyester base) powder coating based on our standard.
- \*4 Before Two Coat(-TC), Cation Electrodeposition will be added.  
(For details, click our website top "Anti-Corrosion Paint" )