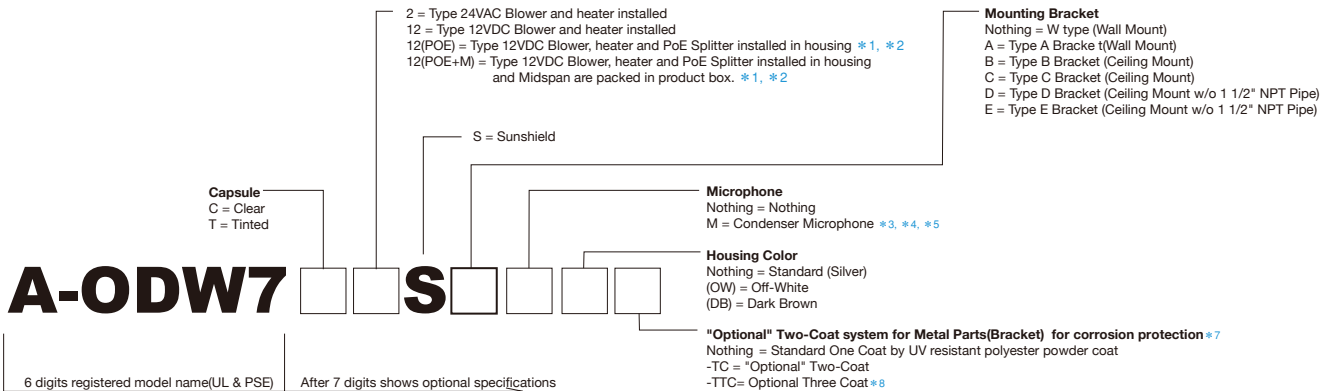


# Outdoor Dome Housing



Specifications						
Model number	A-ODW7* *S	A-ODW7* *S[A]	A-ODW7* *S[B]	A-ODW7* *S[C]	A-ODW7* *S[D]	A-ODW7* *S[E]
Mounting Bracket	Wall Mount W type	Wall Mount A type	Type-B Ceiling Mount	Type-C Ceiling Mount	Type-D Ceiling Mount	Type-E Ceiling Mount
Operating Environment	Outdoor					
Operating Temperature	-50°C(-58°F)~+45°C(113°F) (AC24V/DC12V 50W) -20°C(-4°F)~+45°C(113°F) (POE 60W)					
IP Rate	IP55 (Vent Holes "Open") IP66 (Vent Holes "Closed" with provided Rubber)					
Max Wind Load	Products will not be destroyed by maximum 50m/sec (167 ft/sec) wind load. *Safety of 50m/sec (167 ft/sec) was confirmed by actual wind load test. *Safety of 60m/sec (200 ft/sec) was confirmed by our factory test data.					
Housing	Material = PC/ABS UL94 V-0 Standard Color : Silver (Housing Top = Aluminum) Optional Color : (OW) = Off-White (RAL9002 Similar) Optional Color : (DB) = Dark Brown (Munsell 5YR2/1.5 Similar) *Vandal Resistant M4 Screws x 7 pcs. & Tool Set Model A-VSM4TL is optional.					
Capsule	Material = PC UL 94 V-0 Light Loss : [C] = Clear = Almost zero [T] = Tinted = Approx. 60%					
Mounting Bracket	Material : Aluminum=Standard Type-W & A Wall Mount, Type-C Ceiling Mount Steel = Type-B, D, E Ceiling Mount Color : Standard Type-W & A Wall Mount= Black(When Housing Color is Silver) Type-B Ceiling Mount = Black/OW/DB based on Housing Color. Type-C Ceiling Mount = Sky-white Type-D & E Ceiling Mount =Off-white(RAL9002 Similar) Paint Method : Powder Coat Finish *Two Coat(TC) Anti-corrosion paint is done for bracket.					
Weight	Approx. 5.4kgs (12 lbs)		Approx. 5.2kgs (11.5 lbs)		Approx. 4.3kgs (9.5 lbs)	
Recommended Screw	3/8" or M8~M10 Stainless Screws x 4 (Not included in product)					
Heater (Optional)	[2] = 24VAC 25W [12] = 12VDC 25W Standard (Optional 6W/12W) [12(POE)] [12(POE+M)] = 12VDC Input 25W Standard (Optional 6W/12W) Optional extreme cold area -20°C (-4°F) ~ 60°C (-76°F) Standard 24VAC/12VDC 25W + Additional 24VAC/12VDC 25W = Total 24VAC/12VDC 50W Auto by thermostat 4.4°C (40°F) = ON 16°C (60°F) = OFF					
Blower (Optional)	[2] = 24VAC Input [12] = 12VDC Input [12(POE)] [12(POE+M)] = 12VDC Input Manufacturer : Nidec Servo Corporation Model EUDC12D8 DC12V 0.04A 0.5W x 2 units are installed for both 24VAC/12VDC blower type. Auto by thermostat 35°C (95°F) = ON 27°C (80°F) = OFF					
Fuse	125V 5A(Size 5.2 x 20mm) for 24VAC Blower & Heater(Extra 1 pc. is provided.) No fuse for 12VDC Blower & Heater.					
Microphone (Optional)	[M] = Condenser Microphone for MIC IN without Amplifier (3.5mm Monaural Mini Plug) *3, *4, *5					
Standard & Compliance	RoHS, UL (File #E313815), CE, EAC, RCM					

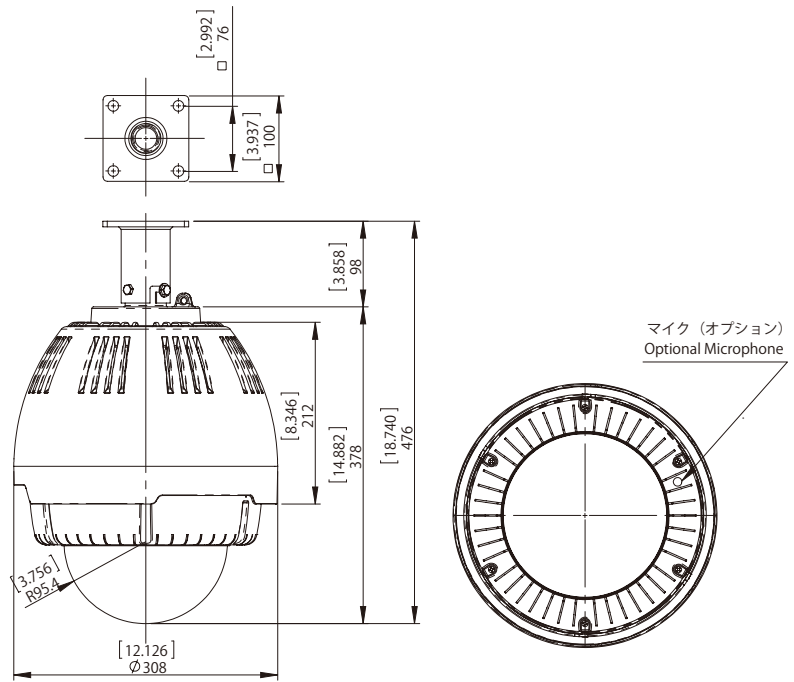
\*1 Due to size and specification of camera splitter may not be installed in housing.  
 \*2 As regards the specification of both Splitter and Midspan, you are requested to obtain our confirmation in advance before ordering.  
 \*3 You may be annoyed by the noise of blower when it is on.  
 \*4 You need to consult with us in advance when you need optional Microphone with Amplifier Model A-AUD1 for LINE IN.  
 \*5 We are unable to take any responsibilities for the troubles such as an intrusion of privacy caused by the use of Microphone.  
 User's discretion is advised and User is required to abide by the local law.  
 \*6 "Optional" Two-Coat system comprises 1coat = powder coating primer (Epoxy base) and Top coat = UV resistant (Polyester base) powder coating based on our standard.  
 \*7 Before Two Coat(-TC), Cation Electrodeposition will be added. (For details, click our website top "Anti-Corrosion Paint" )



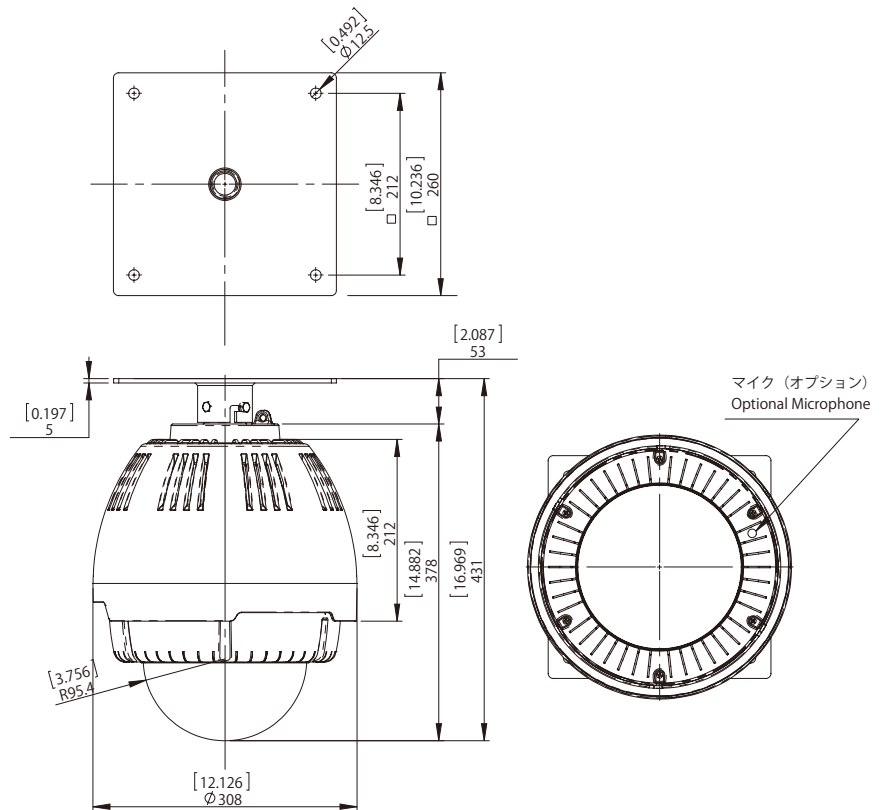
# Outdoor Dome Housing

Unit : [ inch ]  
mm

## A-ODW7 S (Type B Ceiling Mount)



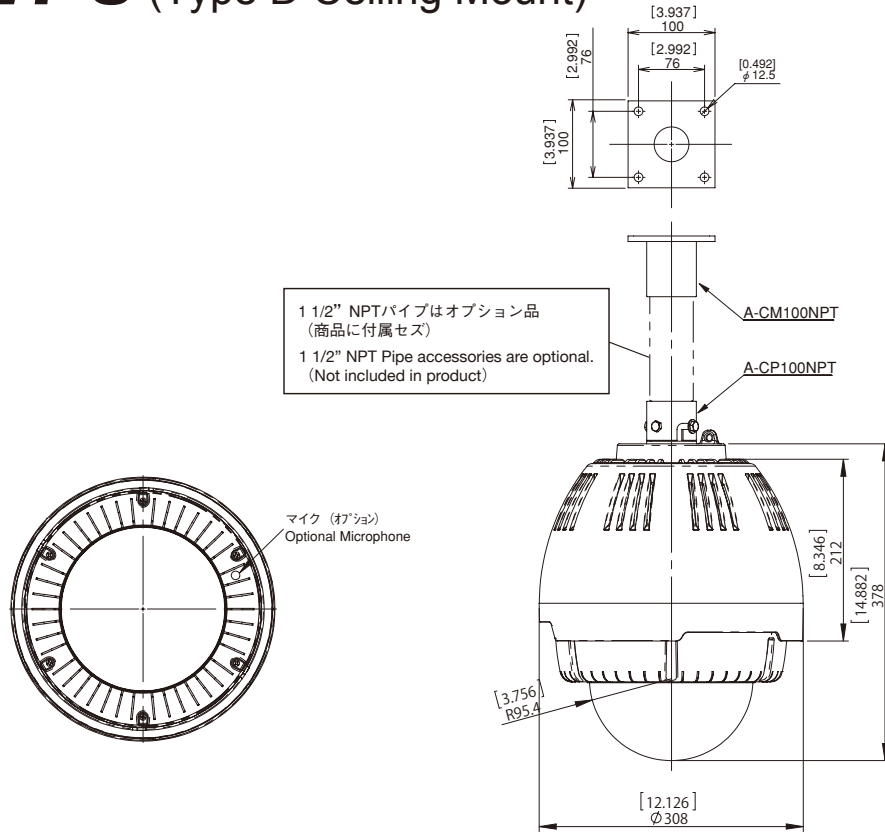
## A-ODW7 S (Type C Ceiling Mount)



# Outdoor Dome Housing

Unit : [ inch ]  
mm

## A-ODW7 S (Type D Ceiling Mount)



## A-ODW7 S (Type E Ceiling Mount)

