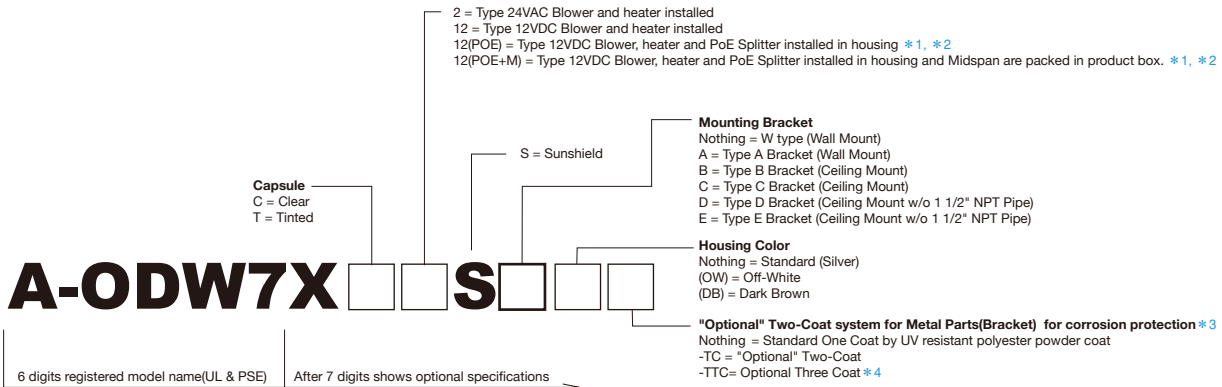


Outdoor Dome Housing



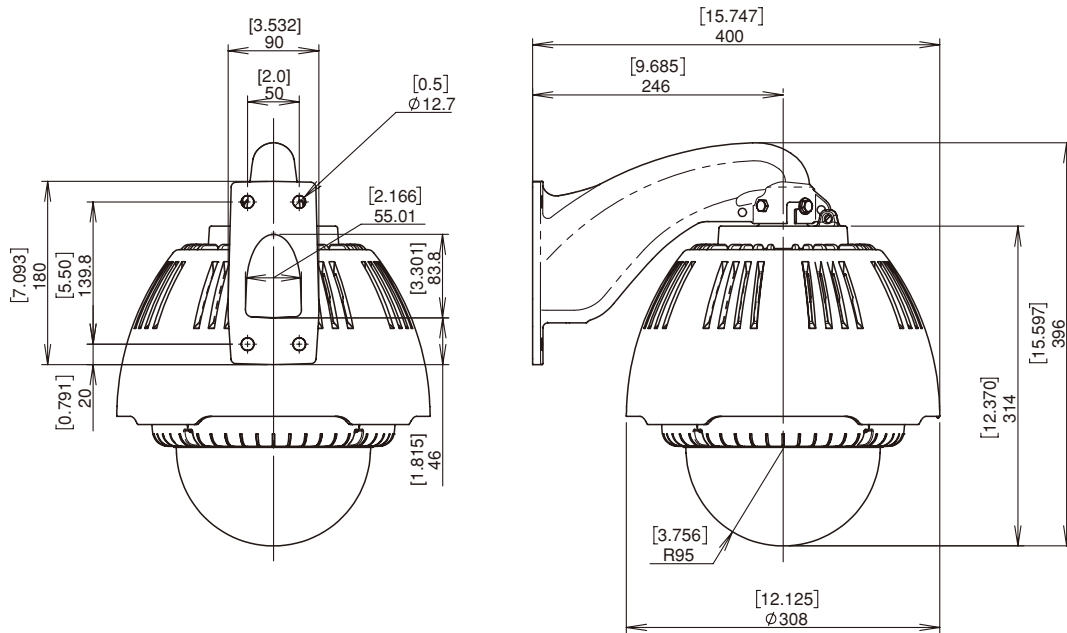
Specifications						
Model number	A-ODW7X**S	A-ODW7X**S[A]	A-ODW7X**S[B]	A-ODW7X**S[C]	A-ODW7X**S[D]	A-ODW7X**S[E]
Mounting Bracket	Wall Mount W type	Wall Mount A type	Type-B Ceiling Mount	Type-C Ceiling Mount	Type-D Ceiling Mount	Type-E Ceiling Mount
Operating Environment	Outdoor					
Operating Temperature	-60°C(-76°F)~+45°C(113°F) (AC24V/DC12V 50W) -30°C(-22°F)~+45°C(113°F) (POE 60W) Note: It is subject to the specification of camera.					
IP Rate	IP55 (Vent Holes "Open") IP66 (Vent Holes "Closed" with provided Rubber)					
Max Wind Load	Products will not be destroyed by maximum 50m/sec (167 ft/sec) wind load. *Safety of 50m/sec (167 ft/sec) was confirmed by actual wind load test. *Safety of 60m/sec (200 ft/sec) was confirmed by our factory test data.					
Housing	Material = PC/ABS UL94 V-0 Standard Color : Silver (Housing Top = Aluminum) Optional Color : [(OW)] = Off-White (RAL9002 Similar) Optional Color : [(DB)] = Dark Brown (Munsell 5YR2/1.5 Similar) *Vandal Resistant M4 Screws x 7 pcs. & Tool Set Model A-VSM4TL is optional.					
Capsule	Material = PC UL 94 V-0 Light Loss : [C] = Clear = Almost zero [T] = Tinted = Approx. 60%					
Mounting Bracket	Material : Aluminum=Standard Type-W & A Wall Mount, Type-C Ceiling Mount Steel = Type-B, D, E Ceiling Mount Color : Standard Type-W & A Wall Mount= Black(When Housing Color is Silver) Type-B Ceiling Mount = Black/OW/DB based on Housing Color. Type-C Ceiling Mount = Sky-white Type-D & E Ceiling Mount =Off-white(RAL9002 Similar) Paint Method : Powder Coat Finish *Two Coat(TC) Anti-corrosion paint is done for bracket.					
Weight	Approx. 4.4kgs (9.7 lbs)		Approx. 4.2kgs (9.3 lbs)		Approx. 3.3kgs (7.3 lbs)	
Recommended Screw	3/8" or M8~M10 Stainless Screws x 4 (Not included in product)					
Heater (Optional)	[2] = 24VAC 25W [12] = 12VDC 25W Standard (Optional 6W/12W) [12(POE)][12(POE+M)] = 12VDC Input 25W Standard (Optional 6W/12W) Optional extreme cold area -20°C (-4°F) ~ 60°C (-76°F) Standard 24VAC/12VDC 25W + Additional 24VAC/12VDC 25W = Total 24VAC/12VDC 50W Auto by thermostat 4.4°C (40°F) = ON 16°C (60°F) = OFF					
Blower (Optional)	[2] = 24VAC Input [12] = 12VDC Input [12(POE)][12(POE+M)] = 12VDC Input Manufacturer : Nidec Servo Corporation Model EUDC12D8 DC12V 0.04A 0.5W x 2 units are installed for both 24VAC/12VDC blower type. Auto by thermostat 35°C (95°F) = ON 27°C (80°F) = OFF					
Fuse	125V 5A(Size 5.2 x 20mm) for 24VAC Blower & Heater(Extra 1 pc. is provided.) No fuse for 12VDC Blower & Heater.					
Standard & Compliance	RoHS, UL (File #E313815), CE, EAC, RCM					

*1 Due to size and specification of camera splitter may not be installed in housing.
 *2 As regards the specification of both Splitter and Midspan, you are requested to obtain our confirmation in advance before ordering.
 *3 "Optional" Two-Coat system comprises 1coat = powder coating primer (Epoxy base) and Top coat = UV resistant (Polyester base) powder coating based on our standard.
 *4 Before Two Coat(-TC), Cation Electrodeposition will be added. (For details, click our website top "Anti-Corrosion Paint")

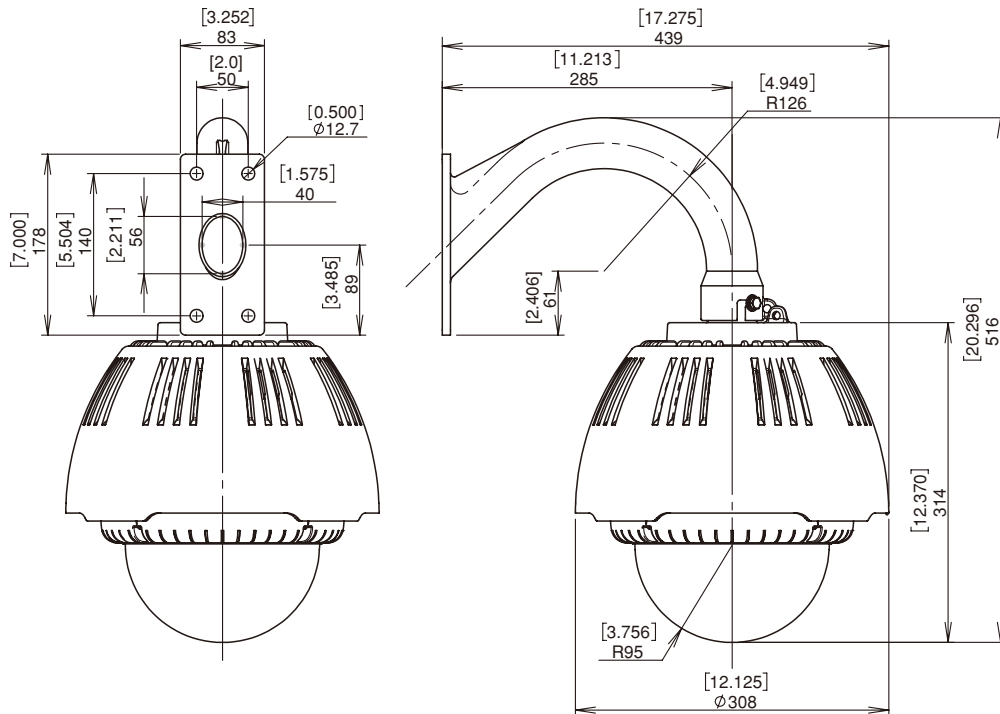
Outdoor Dome Housing

Unit : [inch]
mm

A-ODW7X S (Standard Wall Mount W Type)



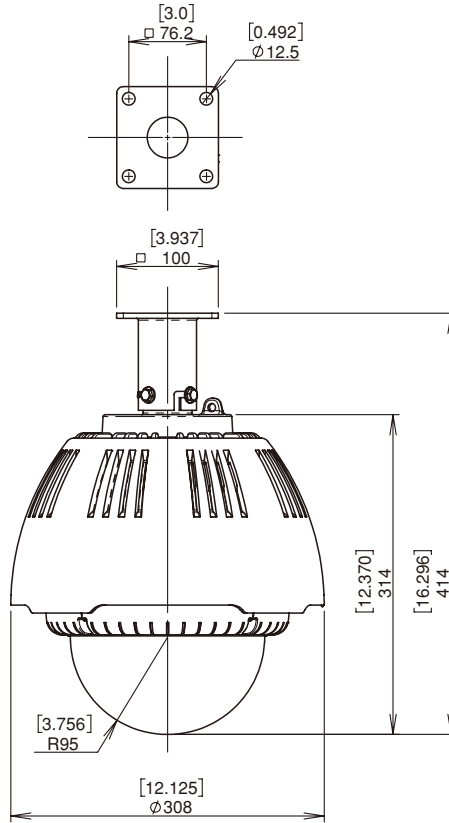
A-ODW7X S (Type A Wall Mount)



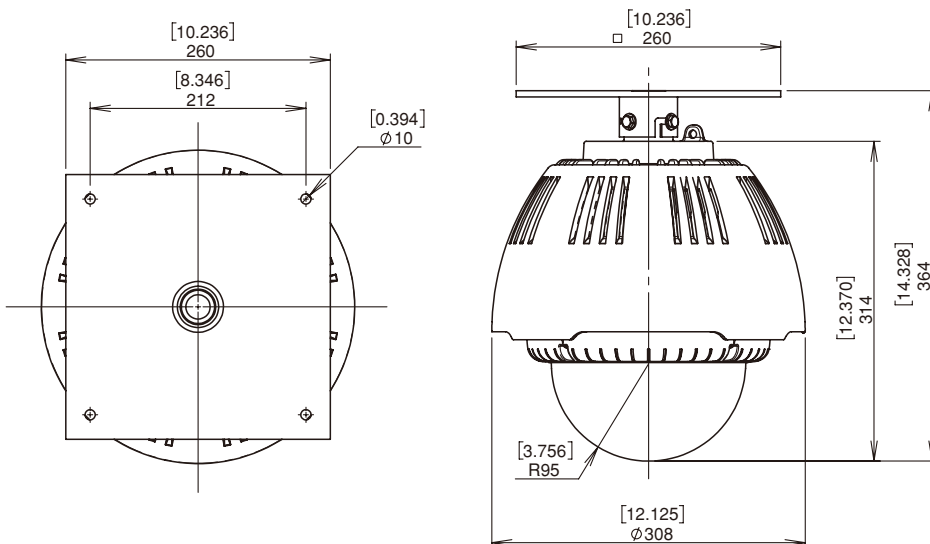
Outdoor Dome Housing

Unit : [inch]
mm

A-ODW7X S (Type B Ceiling Mount)



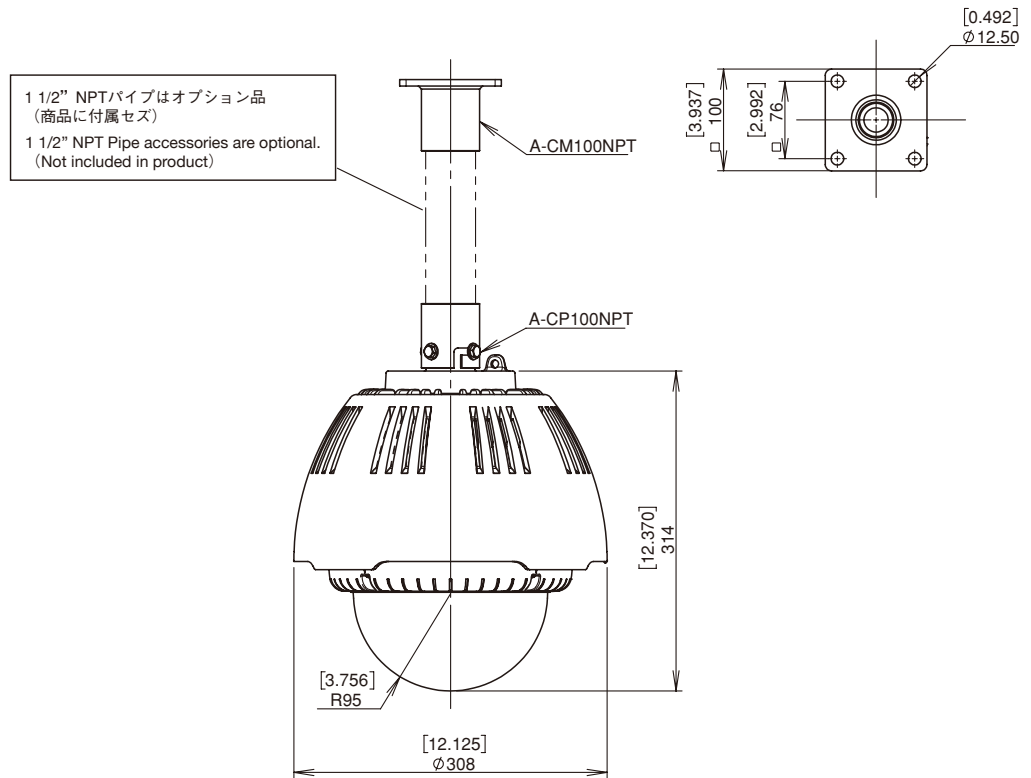
A-ODW7X S (Type C Ceiling Mount)



Outdoor Dome Housing

Unit : [inch]
mm

A-ODW7X S (Type D Ceiling Mount)



A-ODW7X S (Type E Ceiling Mount)

