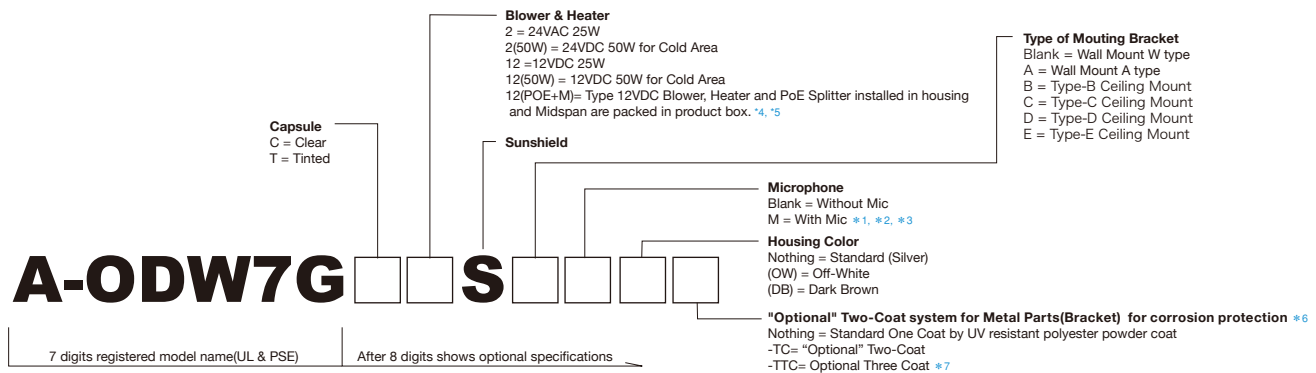


Remote Camera System Housing (Sunshield Type)



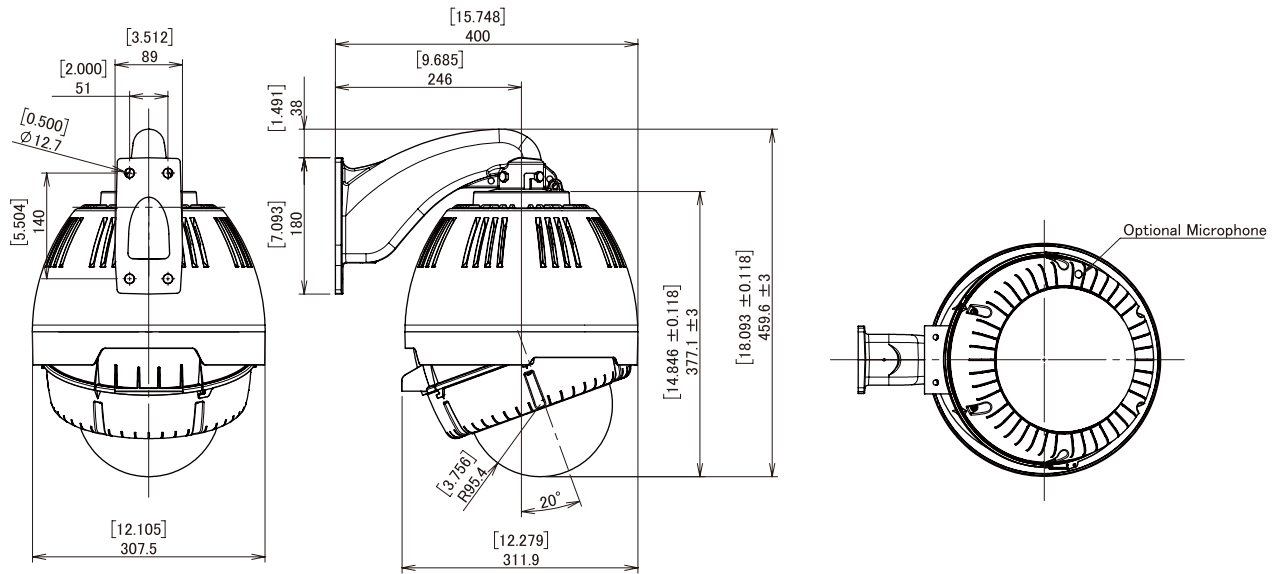
Specifications						
Model number	A-ODW7G**S	A-ODW7G**S	A-ODW7G**S	A-ODW7G**S	A-ODW7G**S	A-ODW7G**S
Mounting Bracket	Wall Mount W type	Wall Mount A type	Type-B Ceiling Mount	Type-C Ceiling Mount	Type-D Ceiling Mount	Type-E Ceiling Mount
Operating Environment	Outdoor					
Operating Temperature	-50°C(-58°F)~+45°C(113°F) (AC24V/DC12V 50W) -20°C(-4°F)~+45°C(113°F) (POE 60W)					
IP Rate	IP66					
Max Wind Load	Products will not be destroyed by maximum 66m/sec (200 ft/sec) wind load.					
Housing	Material = PC/ABS UL94 V-0 Standard Color : Silver (Housing Top = Aluminum) Optional Color : (OW) = Off-White (RAL9002 Similar) Optional Color : (DB) = Dark Brown (Munsell 5YR2/1.5 Similar) *Vandal Resistant M4 Screws x 7 pcs. & Tool Set Model A-VSM4TL is optional.					
Capsule	Material = PC UL 94 V-0 Light Loss : (C) = Clear = Almost zero (T) = Tinted = Approx. 60%					
Mounting Bracket	Material : Aluminum=Standard Type-W & A Wall Mount, Type-C Ceiling Mount Steel = Type-B, D, E Ceiling Mount Color : Standard Type-W & A Wall Mount= Black(When Housing Color is Silver) Type-B Ceiling Mount = Black/OW/DB based on Housing Color. Type-C Ceiling Mount = Sky-white Type-D & E Ceiling Mount =Off-white(RAL9002 Similar) Paint Method : Powder Coat Finish					
Weight	Approx.5.5kg(12.1 lbs)		Approx.5.3kg(11.7 lbs)		Approx.4.4kg(9.7 lbs)	
Recommended Screw	3/8" or M8~M10 Stainless Screws x 4 (Not included in product)					
Heater(Optional)	(2) = 24VAC 25W (12) = 12VDC 25W (2(50)) = 24VAC 50W for Extreme Cold Area (12(50)) = 12VDC 50W for Extreme Cold Area (12(POE+M)) = 12VDC Input 25W Standard(Optional 6W/12W) Auto by Thermostat 4.4°C(40F)=ON 16°C(60F)=OFF					
Blower(Optional)	12VDC 1W Manufacturer : Nidec Servo Corporation Model EUDC12D8 DC12V 0.04A 0.5W x 2 units are installed for both 24VAC/12VDC blower type. Auto by thermostat 35°C (95°F) = ON 27°C (80°F) = OFF					
Fuse	125V 5A(Size 5.2 x 20mm) for 24VAC Blower & Heater(Extra 1 pc. is provided.) No fuse for 12VDC Blower & Heater.					
Microphone(Optional)	(M) = Condenser Microphone for MIC IN without Amplifier (3.5mm Monaural Mini Plug)*1,*2,*3					
Standard & Compliance	RoHS, UL(File# E313815), CE, EAC, RCM					

- *1 You may be annoyed by the noise of blower when it is on.
- *2 You need to consult with us in advance when you need optional Microphone with Amplifier Model A-AUD1 for LINE IN.
- *3 We are unable to take any responsibilities for the troubles such as an intrusion of privacy caused by the use of Microphone.
User's discretion is advised and User is required to abide by the local law.
- *4 Due to size and specification of camera splitter may not be installed in housing.
- *5 As regards the specification of both splitter and Midspan, you are requested to obtain our confirmation in advance before ordering.
- *6 "Optional" Two-Coat system comprises 1 coat = powder coating primer (Epoxy base) and Tow coat = UV resistant (Polyester base) powder coating based on our standard.
- *7 Before Two Coat (-TC), Cation Electrodeposition will be added. (For details, click our website top "Anti-Corrosion Paint")

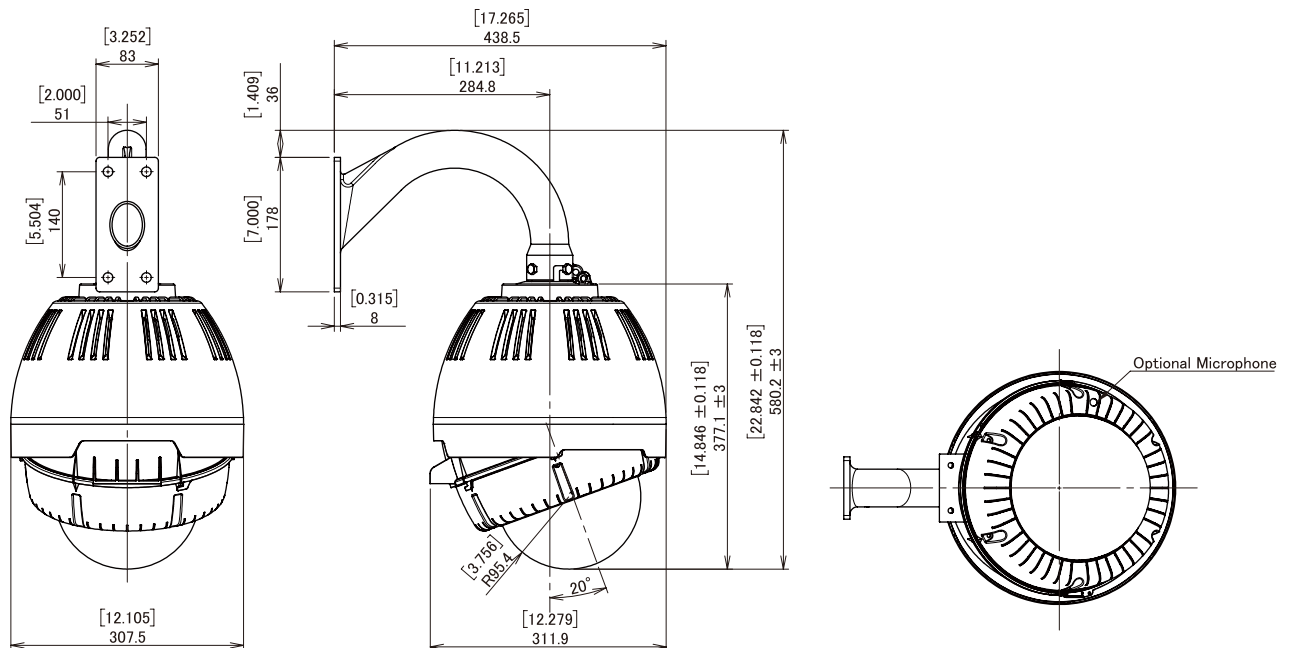
Remote Camera System Housing (Sunshield Type)

Unit : [inch]
mm

A-ODW7G S (Standard Wall Mount W Type)



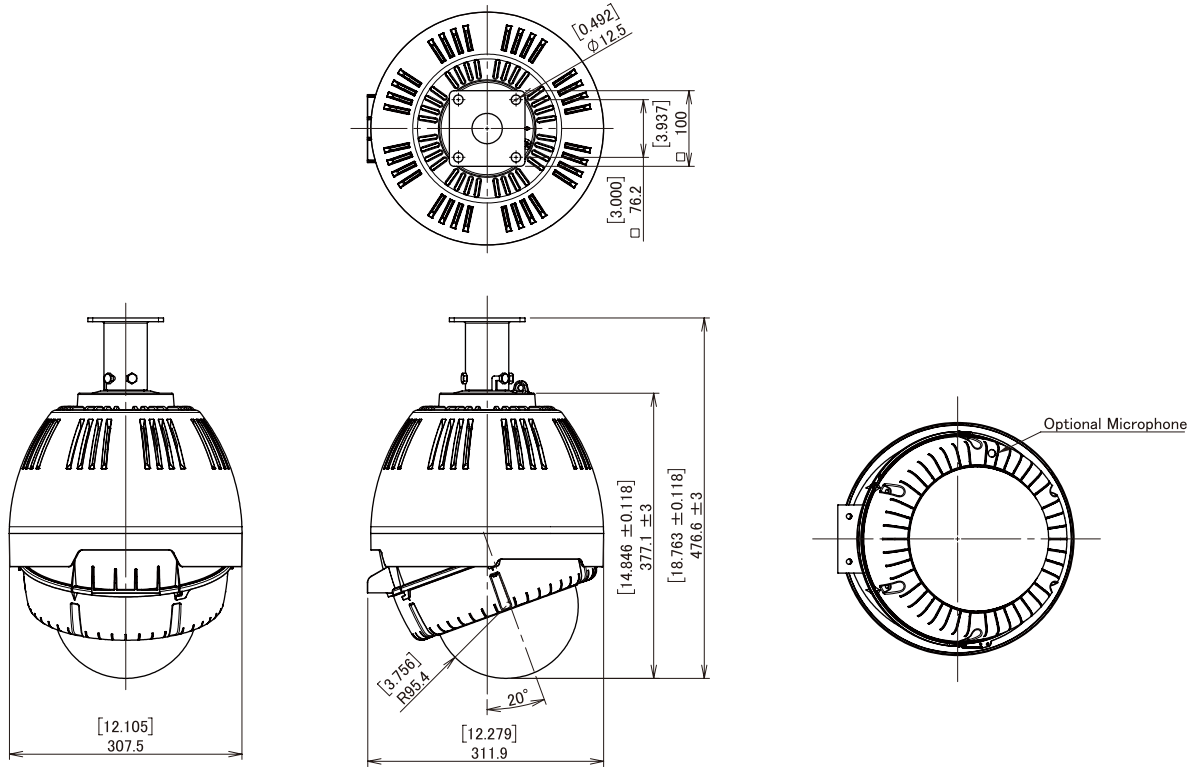
A-ODW7G S (Type A Wall Mount)



Remote Camera System Housing (Sunshield Type)

Unit : [inch]
mm

A-ODW7G S (Type B Ceiling Mount)



A-ODW7G S (Type C Ceiling Mount)

