

1 1/2"Pipe

A-PIPE1F A-PIPE3F

Specifications

Color : Off-White(RAL9002)

Material : Steel

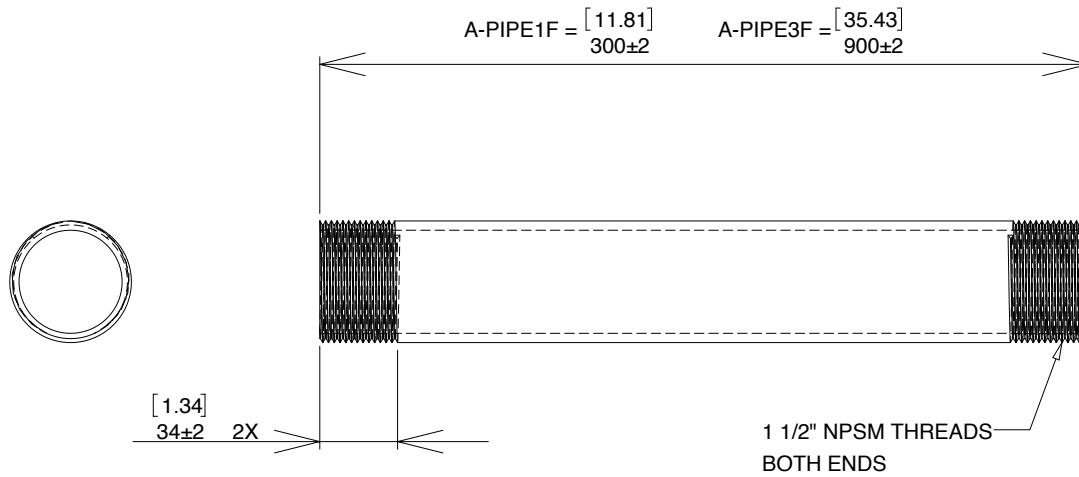
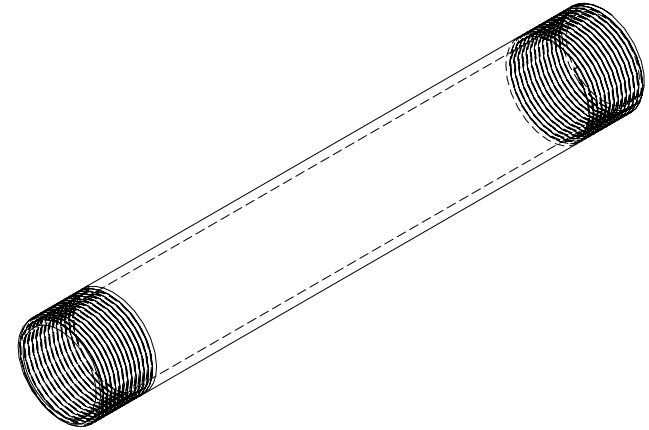
Paint : Powder Coat Finish

Length : A-PIPE1F = 300±2mm(11.81")
A-PIPE3F = 900±2mm(35.43")

Threaded length : 34±2mm(1.34") ends

Weight : A-PIPE1F = 1.1kgs(2.43lbs)
A-PIPE3F = 3.3kgs(7.29lbs)

Standard & Compliance : RoHS



MATERIAL: 1.5" SCHEDULE 40 PIPE
FINISH: RAL 9002 FINE TEXTURE EXTERIOR