

Unit: [inch]
mm

Coupling for 1 1/2" NPT

A-JC3INCH

Specifications

Color : Off-White(RAL9002)

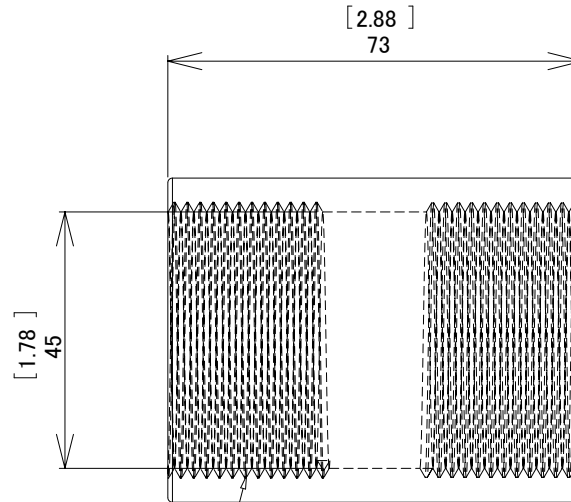
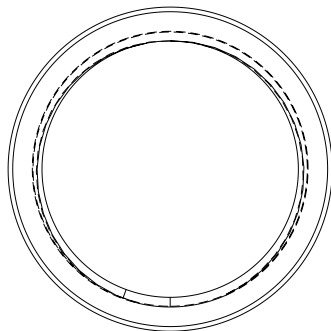
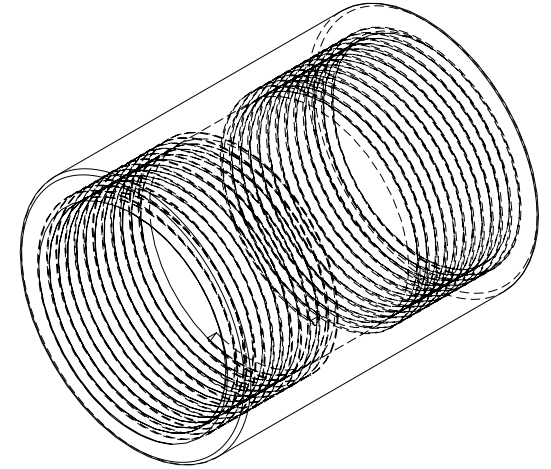
Material : teel

Paint : Powder Coat Finish

Length : 73mm(2.88")

Weight : 0.5kgs(1.1lbs)

Standard & Compliance : RoHS



1 1/2" NPSM THREADS X 1.13" DEEP
BOTH ENDS

MATERIAL: 2.25" OD PIPE - 1.75" ID
NOTE: BREAK SHARP EDGES
RAL 9002 FINE TEXTURE EXTERIOR

ASC
ASC Corporation