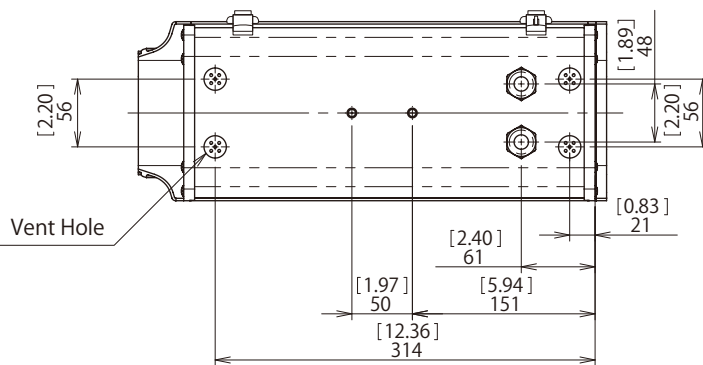
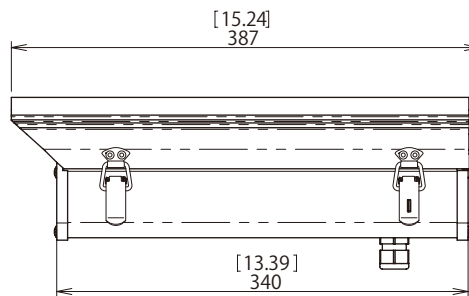
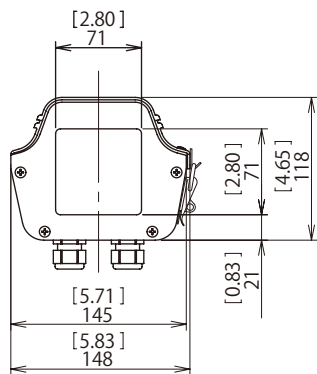


Unit : [inch
mm



Outdoor Housing

[Model Name for Housing Unit Only]

A-OH15

SET

[Model Name for Housing Set]

A-OH15

6 digits registered model name(UL & PSE)

After 7 digits shows optional specifications

Blower and heater
 BH2 = Type 24VAC Blower and heater installed
 BH12 = Type 12VDC Blower and heater installed
 BH12(POE) = Type 12VDC Blower, heater and PoE Splitter installed in housing *1, *2
 BH12(POE+M) = Type 12VDC Blower, heater and PoE Splitter installed in housing and Midspan are packed in product box. *1, *2

Nothing = With Wall Bracket and Ceiling Adapter
 F = With Wall Bracket only
 P = With Wall Bracket and Stainless Belt A-SB20-1500MM for Pole Mount

Sunshield
 Nothing = Without Sunshield A-SY15
 Y = With Sunshield A-SY15

Housing Color
 Nothing = Standard Color (White)
 (OW) = Off-White
 (DB) = Dark Brown

Optional Two-Coat system for Metal Parts(Bracket) for corrosion protection*3
 Nothing = Standard One Coat by UV resistant polyester powder coat
 -TC = *Optional* Two-Coat

Specifications

Operating Environment	Outdoor
Maximum Wind Load	50m(167 ft)/sec (Products will not be destroyed.) *Safety of 50m(167 ft)/sec was confirmed by actual wind load test. *Safety of 60m(200 ft)/sec was confirmed by our factory test data.
Operating Temperature	-30°C(-22°F)~+45°C(113°F) (A C24V/DC12V25W・POE 60W) Note: It is subject to the specification of camera.
IP Rate	IP33 Standard "4 Vent Holes Open" (Vent Plug VP-625 + Sponge Filter) IP43 *4
Housing	Aluminum Powder Coat Finish Snap Fasteners = SUS304
Front/End Cap	PC/ABS UL94 V-0
Window	Acrylic
Heater (Optional)	BH 2 = 24VAC 25W BH12 = 12VDC Input 25W Standard (Optional 6W/12W) BH12 (POE) BH12 (POE+M) = 12VDC Input 12W Standard (Optional 6W/25W) 4.4°C (40°F) = ON 16°C (60°F) = OFF
Blower (Optional)	BH 2 = 24VAC Input BH12 = 12VDC Input BH12 (POE) BH12 (POE+M) = 12VDC Input Nidec Servo Corp. EUUC12D8 DC12V 0.04A 0.5W 35°C (95°F) = ON 27°C (80°F) = OFF
Weight	Approx. 1.5kgs (3.3 lbs) Approx. 1.8kgs (4 lbs) with Blower & Heater
Housing Color	A-OH15 Standard Color = White (Housing) Black (Front/End Cap) A-OH15 (OW) = Off-White (RAL9002 Similar) A-OH15 (DB) = Dark Brown (Munsell 5YR2/1.5 Similar)
Acceptable Camera Size (Basic Size Data)	Length 310mm (12.2") w/o Blower/heater Length 275mm (10.8") with Blower/heater Width 95mm (3.74") Height 100mm (3.9") *As regards width, it becomes narrower from the middle of height.
Dia of 2 Cable Holes	15mm (0.59") with Bushing 22mm (0.86") without Bushing
Standard & Compliance	RoHS, UL (File #E313815), CE, EAC, RCM

*1 Due to size and specification of camera splitter may not be installed in housing.

*2 As regards the specification of both Splitter and Midspan, you are requested to obtain our confirmation in advance before ordering.

*3 *Optional* Two-Coat system comprises 1coat = powder coating primer (Epoxy base) and Top coat = UV resistant (Polyester base) powder coating based on our standard.

*4 When 4 Vent Holes "Closed" by silicon etc., IP Rate will be IP43.

Order of Dome Plug DP-625 to close Vent Holes shall be treated as Special Order(Optional) with additional cost.