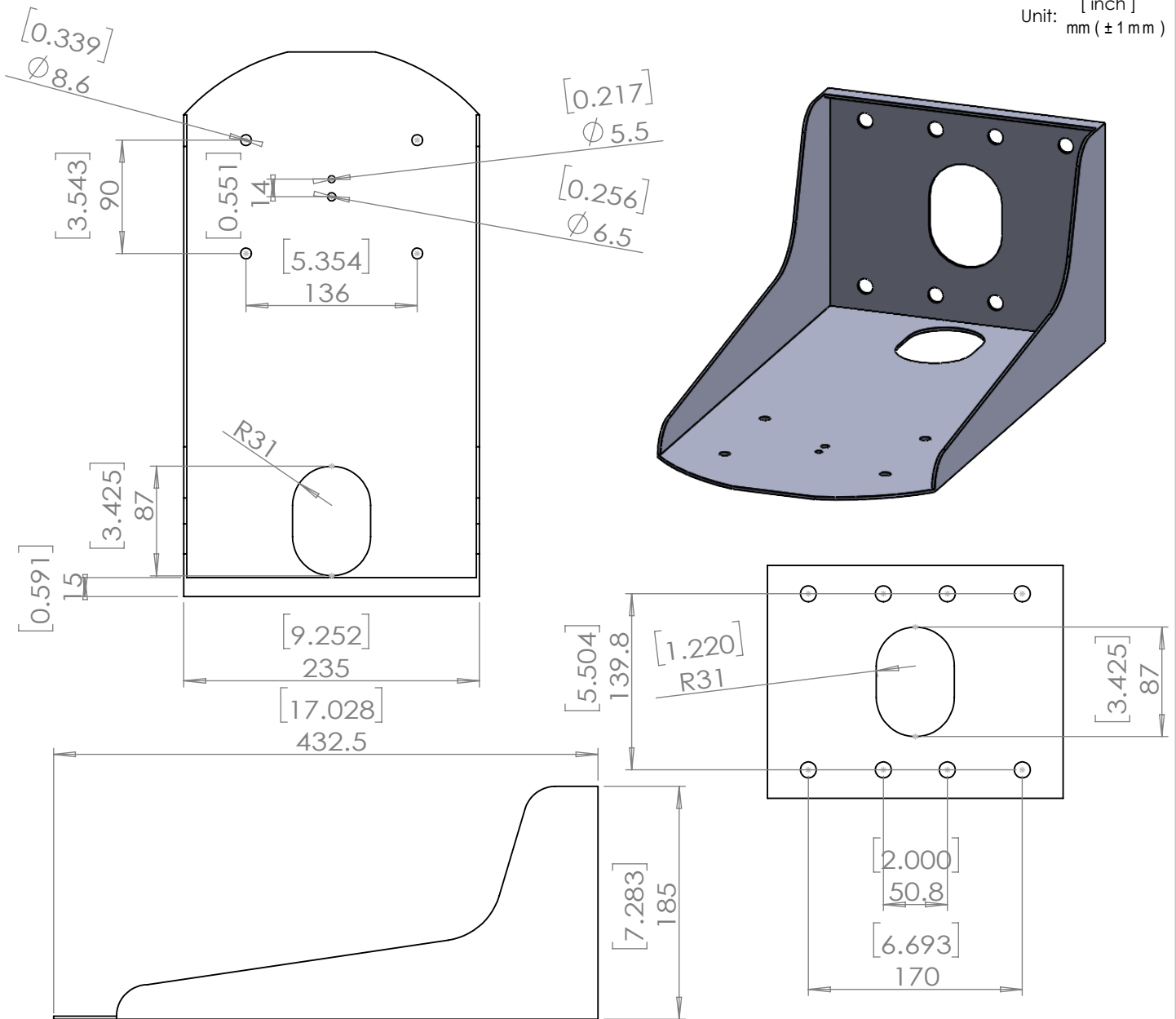


Unit: [inch]
mm (± 1 mm)



Wall Mount Bracket for Canon Camera CR-X300

A-RMB8-CR

Specifications

Max Wind Load	:	60m/sec(197ft/sec)
Material	:	Stainless Steel (SUS304)
Paint	:	Powder Coat (Epoxy Base Primer + Polyester Base Outer Coat Finish)
Color	:	White
Weight	:	Approx. 3.5kg (7.8 lbs)
Standard Accessories	:	M6 x 25mm Hex Bolt (SUS304), Spring, Washer x 4
Standard & Compliances	:	RoHS
Optional Pole Mount	:	A-BK3S, A-BK6S